

HOW TO INSTALL

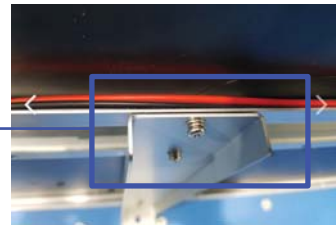
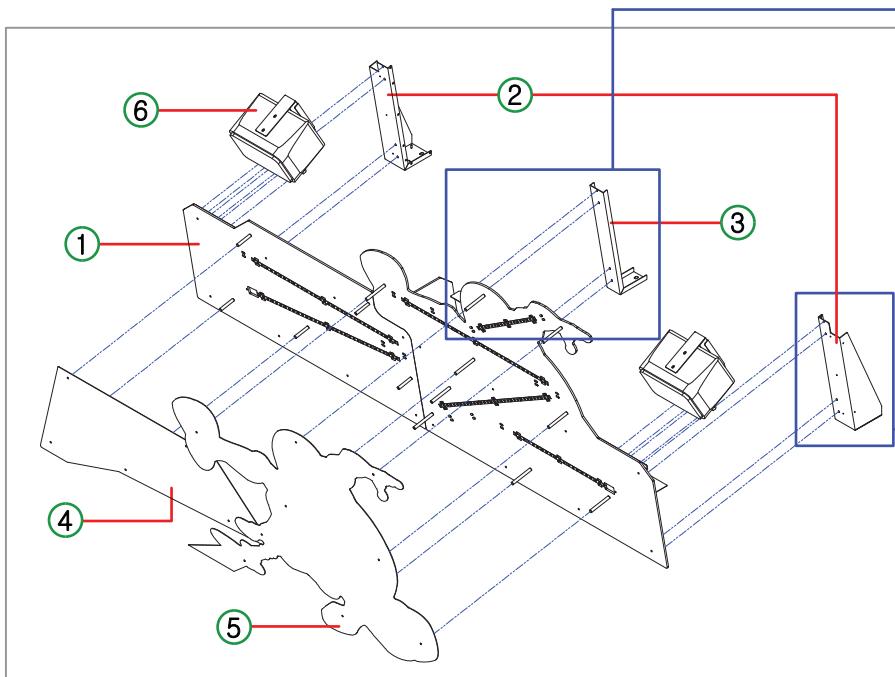
* BILLBOARD PACKAGING



* There are BILLBOARD TITLE ACRYL & BILLBOARD SPIDER MAN ACRYL & BILLBOARD BOTTOM COVER ACRYL at the bottom of the BOX PANEL.



1. HOW TO INSTALL BILLBOARD

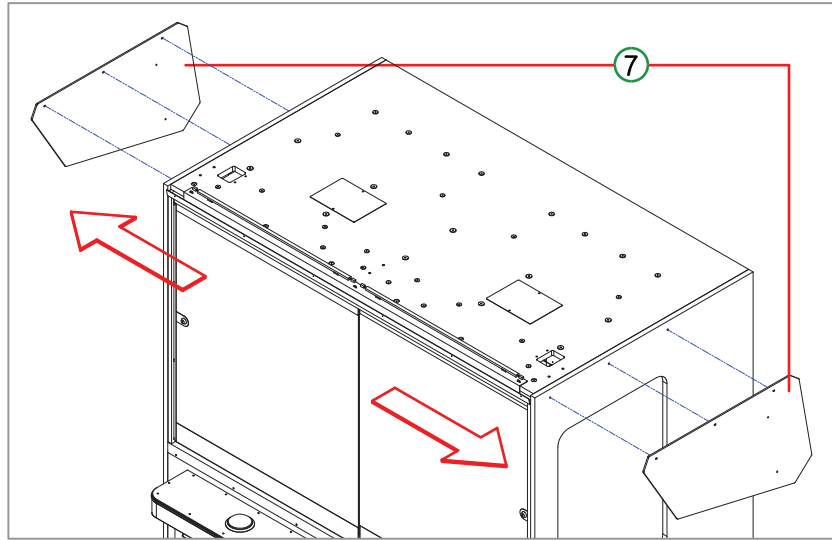


* Pay attention to wiring when fixing the top bolt

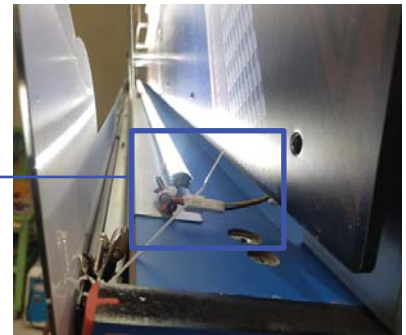
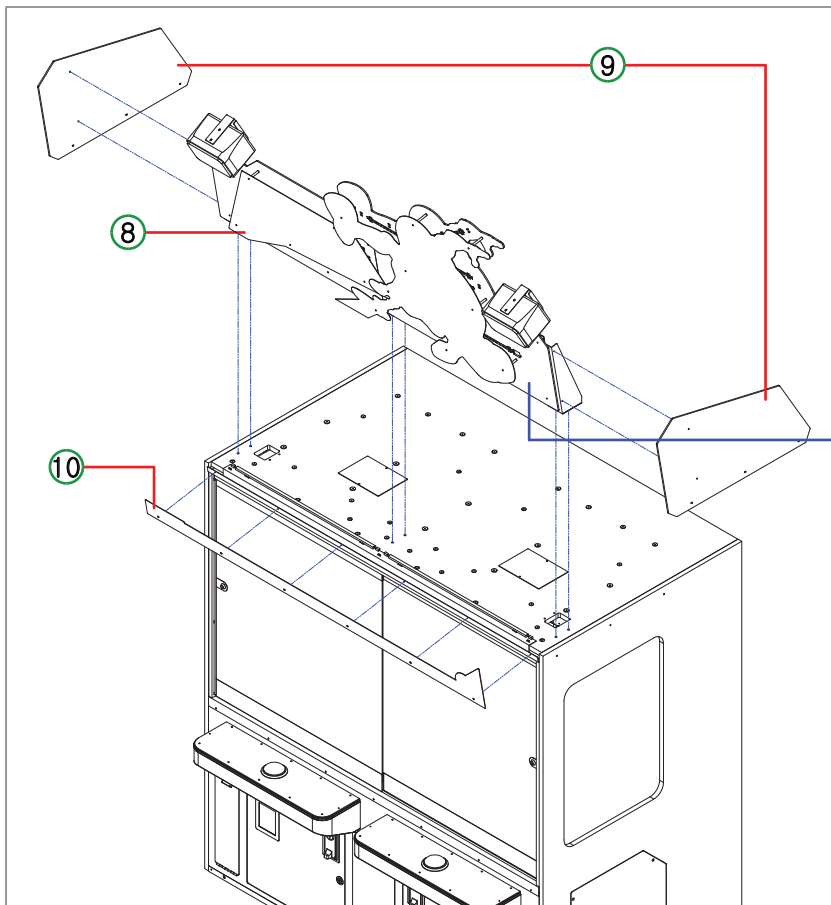


* BILLBOARD SIDE FOMAX FRONT FIX BKT L, R are combined on the front of the BILLBOARD BODY (FORMAX). Assemble after disassembly.

NO	PROCESS	ITEM	Q'TY	BOLT	SPEC	Q'TY
1		BILLBOARD BODY	1			
2	ASSEMBLE	BILLBOARD SIDE FOMAX FRONT FIX BKT L, R	2	SEMS NI	M4*10L	8
3	ASSEMBLE	BILLBOARD FRONT FOMAX MIDDLE FIX BKT	1	SEMS NI	M4*10L	4
4	ASSEMBLE	BILLBOARD TITLE ACRYL	1	SCREW TH	M4*8L	5
5	ASSEMBLE	BILLBOARD SPIDER MAN ACRYL	1	SCREW TH	M4*8L	9
6	ASSEMBLE	BILLBOARD SPEAKER ASS'Y	2	SEMS NI	M4*10L	8

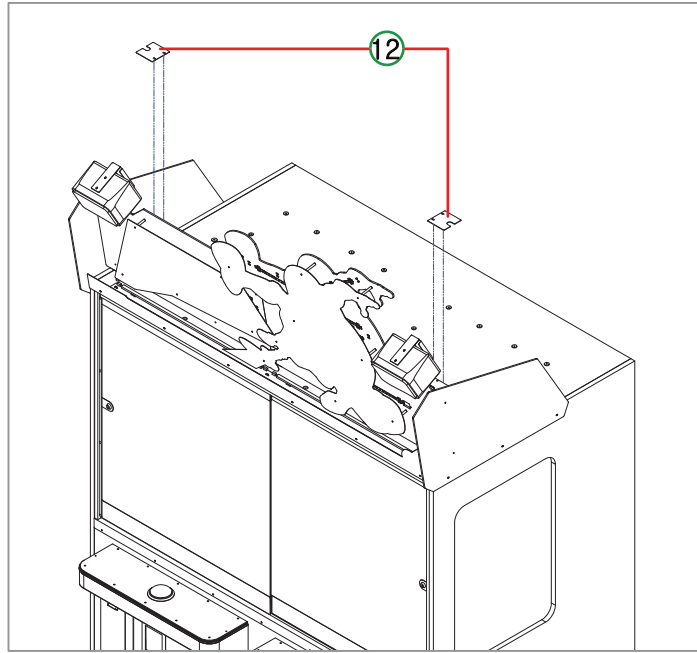


NO	PROCESS	ITEM	Q'TY	BOLT	SPEC	Q'TY
7	SEPARATION	BILLBOARD SIDE FOMAX-L, R	2	SCREW TH	M4*25L	6



* The connector is inside

NO	PROCESS	ITEM	Q'TY	BOLT	SPEC	Q'TY
8	ASSEMBLE	BILLBOARD ASS'Y	1	SEMS NI	M6*25L	6
9	ASSEMBLE	BILLBOARD SIDE FOMAX-L, R	2	SCREW TH	M4*10L	4
				SCREW TH	M4*25L	6
10	ASSEMBLE	BILLBOARD BOTTOM COVER ACRYL	1	SCREW TH	M4*10L	6



NO	PROCESS	ITEM	Q'TY	BOLT	SPEC	Q'TY	
11	CONNECTION	BILLBOARD CONNECTOR					
12	ASSEMBLE	CABINET TOP HARNESS COVER BKT	2	SCREW TH	M4*20L	4	
13	POWER ON	The voltage of this product is (120V or 230V) *(LRS-350-12 / AC S/W TYPE_Transform)					