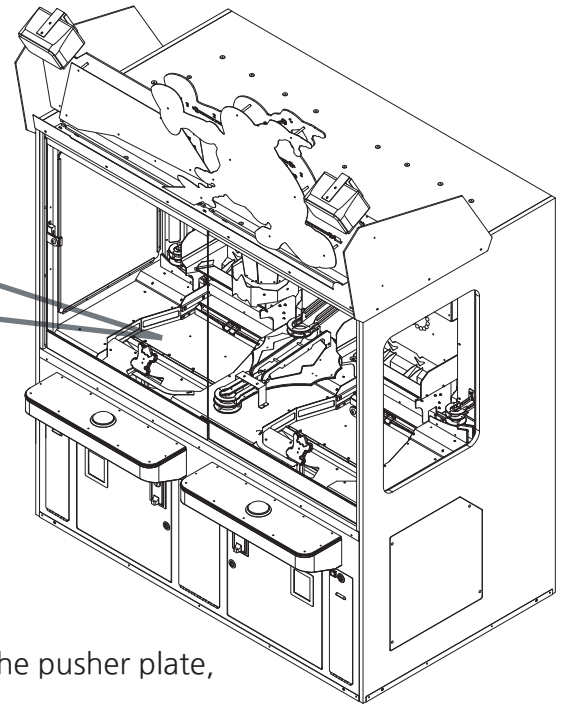


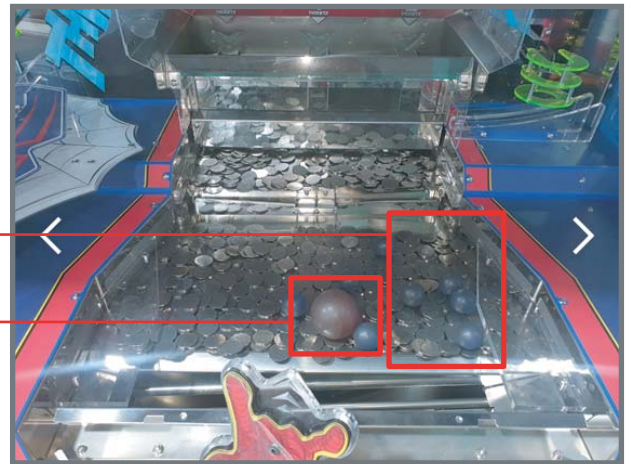
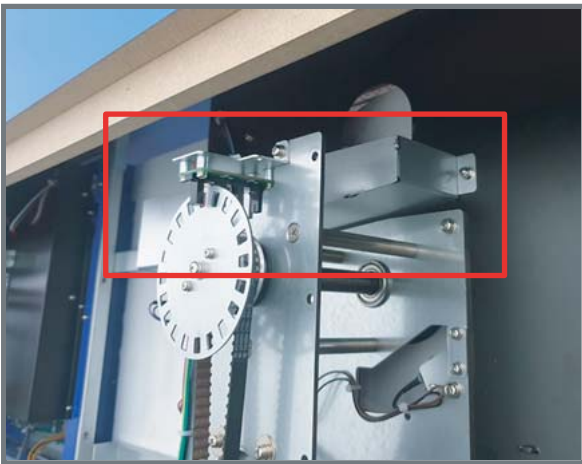
INSTALLATION [MEDAL, BALL]

1 * MEDAL SUPPLY



- Open the FRONT WINDOW using the 7001 key. After supplying the MEDAL provided for each P to the pusher plate, half of the quantity is sent to the pusher out part.

2 * BALL SUPPLY



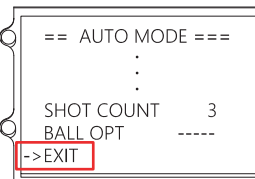
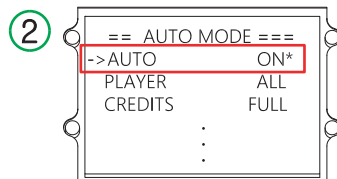
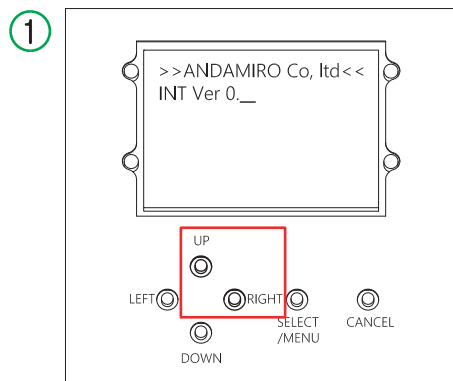
- Open the REAR UPPER DOOR using the 7001 key
- We supply 1EA of BIG BALL to each BONUS WHEEL RAIL.

- Proper supply quantity of PUSHER PLATE balls BIG BALL_6EA / SMALL BALL_30EA

- The remaining balls are sent to the PUSHER OUT.

* ENTER AGING MODE

- ### 3
- Open the lower middle door using the 7001 key and turn on the power. When booting is complete, press the **UP + RIGHT button** on the control panel to enter the aging mode.



- Confirm that it is AUTO ON and press EXIT at the bottom to exit

- ③
- When an appropriate amount of MEDAL and BALL are supplied, press the CANCEL button.