

INSTALL INFORMATION

*** PLEASE DO NOT INSTALL PRODUCT IN A PLACE WITH A LOT OF SUNLIGHT. IT CAN BE A PROBLEM FOR THE OPERATION OF THE PRODUCT.**

1. INSTALLATION SPACE

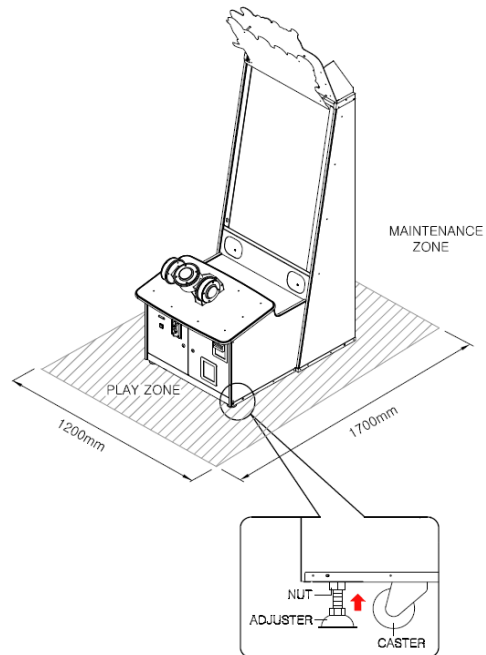
※ Maintenance zone & Play zone should have at least 2500mm(99 inch) * 2500mm(99inch) each

2. MAINTAIN PRODUCT FLATNESS

※ After installation is complete
 ※ 2-1 After securing space, adjust the 4 adjuster so that the product is stably leveled

3. IMPORTANCE

※ This product should be indoor use and out of direct sunlight



UNPACKING

1. PACKING LOCATION

PRODUCT		BILLBOARD BOX		
▼ 1	▼ 2	▼ 3	▼ 4	▼ 5
	COMPONENT ENVELOPE			

※ **BILLBOARD INSTALL**
 (REFER TO PAGE 6 OF THE MANUAL)