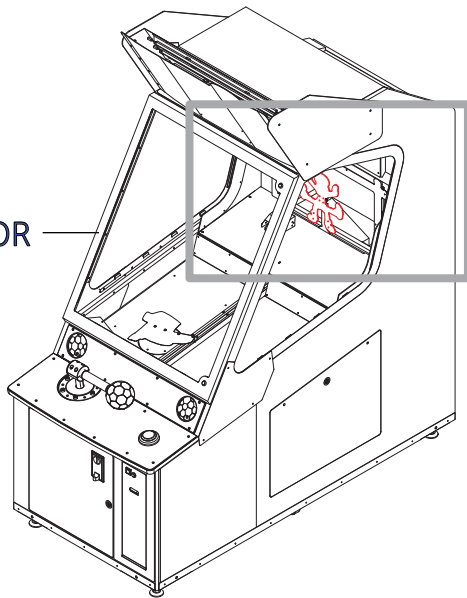


# SPONGEBOB SOCCER STAR\_How to replace Goal Keeper acrylic [For easy level]

1

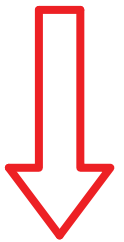
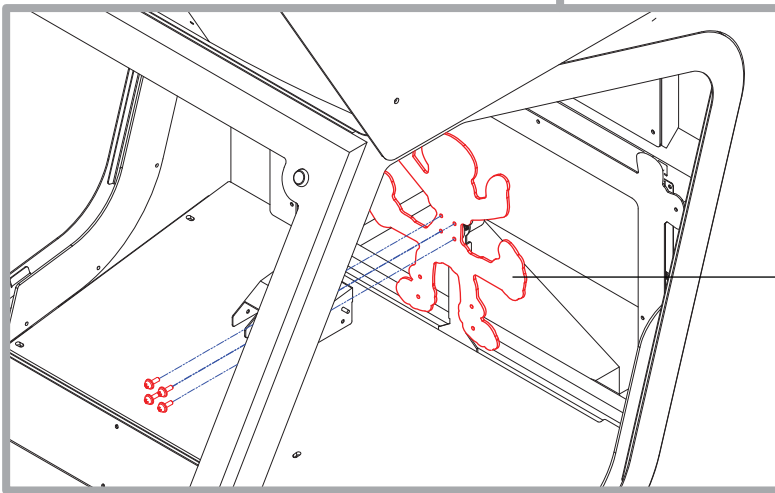


\* Please be aware that this is an optional choice, not compulsory.

- Replacing Plankton Acrylic will make the chance of goal success higher.
- Please select Squidward Q. Tentacles or Plankton according to the location situation.

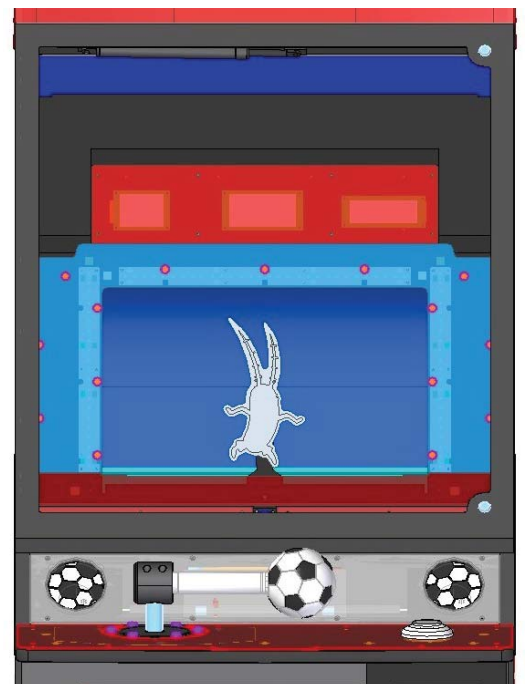
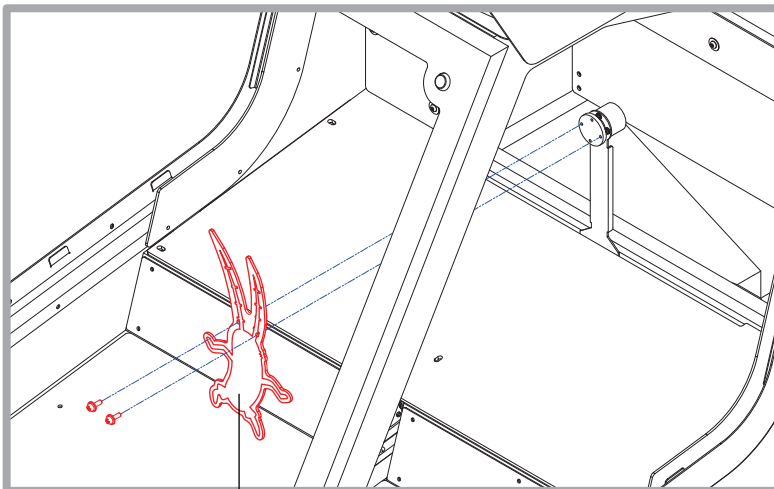
- Open **FRONT DOOR** with 7001 key[2EA].

2



- **Detach GOALKEEPER ACRYL** from the front of the cabinet. [M4 bolts, 4pcs]
- \* Please use the bolts again, when you re-fix the acrylic boards.

3



- Please **assemble new GOALKEEPER ACRYL PLANKTONS**. [M4 bolts, 2pcs]