

* INSTALL INFORMATION

*** PLEASE DO NOT INSTALL PRODUCT IN A PLACE WITH A LOT OF SUNLIGHT. IT CAN BE A PROBLEM FOR THE OPERATION OF THE PRODUCT.**

1) INSTALLATION SPACE

※ Maintenance zone & Play zone distance maintenance

: should have at least 2800 mm * 2000mm each

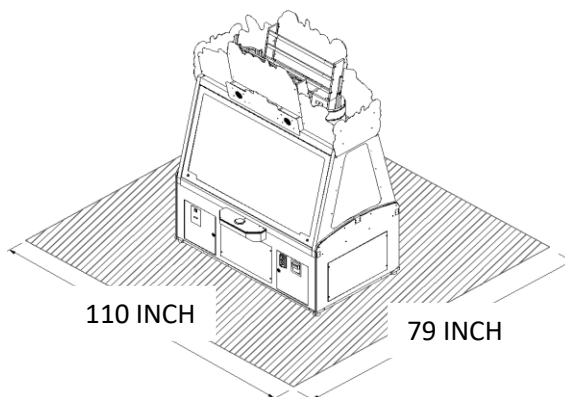
2) MAINTAIN PRODUCT FLATNESS

※ After installation is complete

: adjust the 4 adjuster so that the product is stably leveled.

3) IMPORTANCE

※ This product should be indoor use and out of direct sunlight.



* UNPACKING

1) PACKING LOCATION

	▼ 1	ASS'Y- B_TITLE	ASS'Y- B_SIDE LIGHT LED	
	▼ 2	X 2 X 2 X 2	X 2 X 2	
		X 2 X 2		
	▼ 3	▼ 4	▼ 5	
	▼ 5			

* BILLBOARD INSTALL (REFER TO PAGE 4 OF THE MANUAL)