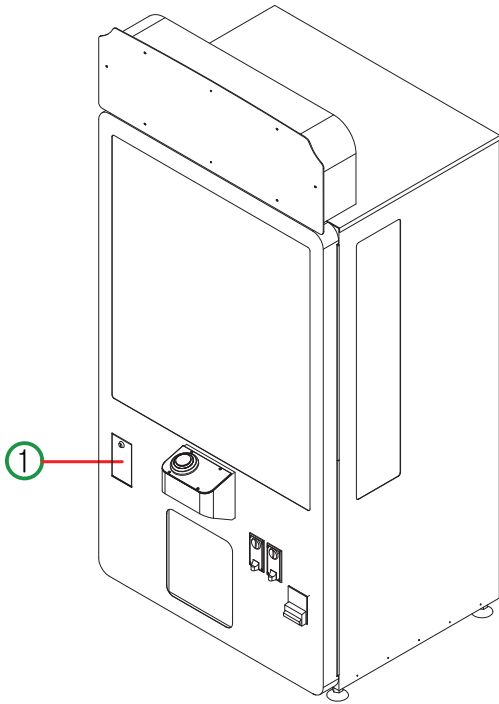


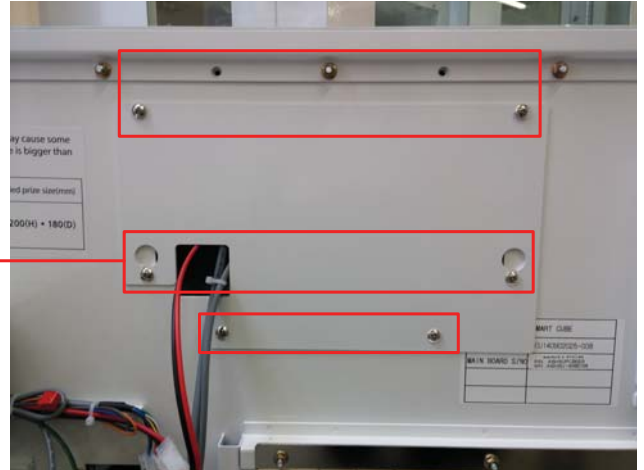
# INSTALLATION [ AC CORD & BUTTON PANEL ]

1



- ① Open door using door key.

3



\* BUTTON FRAME PART +  
FRONT DOOR BUTTON CASE REAR COVER

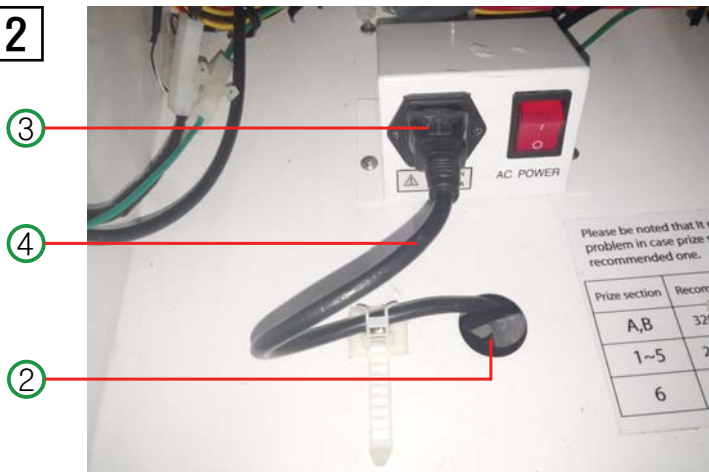
- After fasten bolt in Button panel Ass'y, hang it on cabinet using holes (2Ea: ②). Then fasten rest of bolts (M4 bolt x 8Ea). Connect main connector with cable from button panel ass'y

4



- Complete the Ass'y as shown picture.

2



- Connect AC Cord in Control panel ③ through internal hole ② and fix it with cable tie ④.