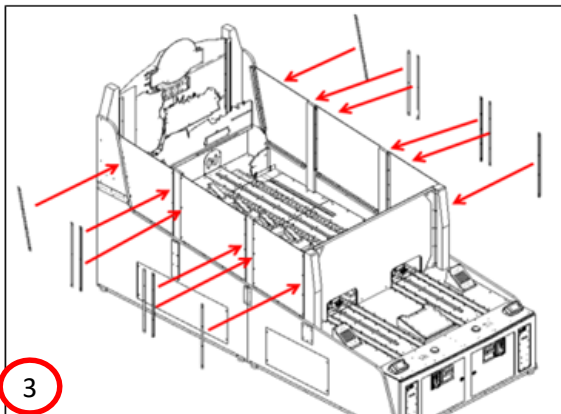
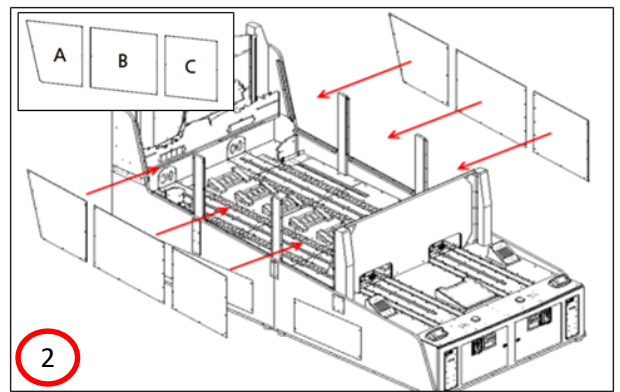
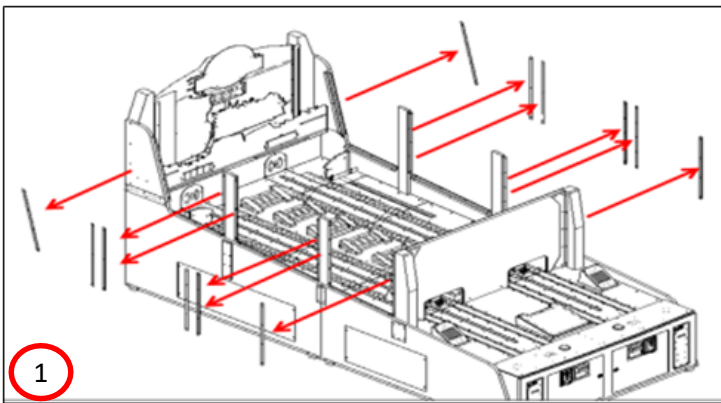


▶ OPTION : Notes on installation

1. When there are two brackets to fix the wiring,

| | | | |
|-----------|---|------------------------|----------------------|
| <p>▼7</p> | <p>before (11 pin)</p> <p>*caution : 3pcs (8 pin)</p> <p>The back front side</p> | <p>caution (3,8,9)</p> | <p>after</p> |
| <p>▼8</p> | <p>before(9 pin)</p> | | <p>after(9 pin)</p> |

2. When fixing the side acrylic with bkt



| no | PROCESS | ITEM | Q'ty | BOLT | SPEC | Q'ty |
|----|----------|------------------------|------|-------|------|------|
| 1 | REMOVE | SIDE ACRYL SUPPORT BKT | 12 | TH_BL | 4*12 | 48 |
| 2 | ASSEMBLE | WINDOW ACRYL-A,B,C | 6 | | | |
| 3 | ASSEMBLE | WINDOW ACRYL-A,B,C | 12 | TH_BL | 4*12 | 48 |