

INSTALL INFORMATION

*** PLEASE DO NOT INSTALL PRODUCT IN A PLACE WITH A LOT OF SUNLIGHT. IT CAN BE A PROBLEM FOR THE OPERATION OF THE PRODUCT.**

1. INSTALLATION SPACE

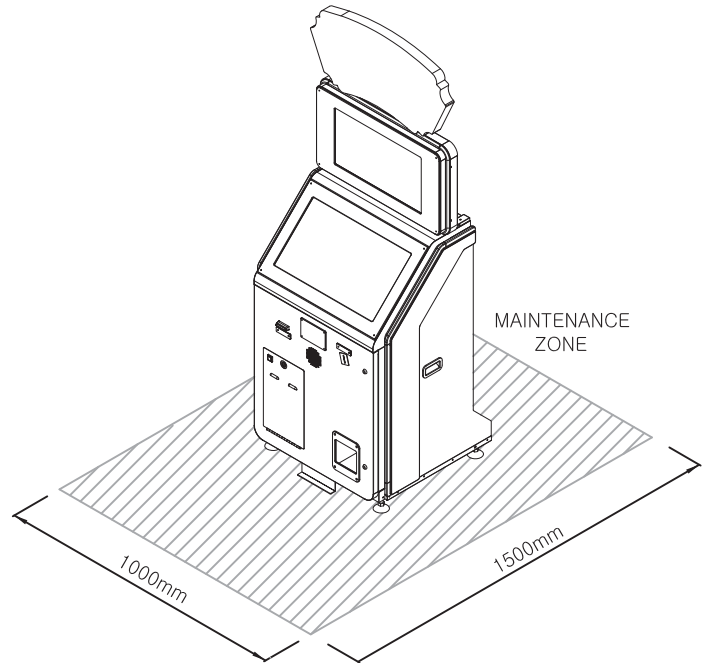
- ※ Maintenance zone & Play zone should have at least 1000mm(39inch) * 1500mm(59inch) each

2. MAINTAIN PRODUCT FLATNESS

- ※ After installation is complete
- ※ 2-1 After securing space, adjust the 4 adjuster so that the product is stably leveled

3. IMPORTANCE

- ※ This product should be indoor use and out of direct sunlight



UNPACKING

1. PACKING LOCATION

The diagram shows the front and side views of the product. Callout 1 points to a key location on the front panel. Callout 2 points to a compartment on the side panel. Callout 3 points to the interior of the cabinet.

	▼ 1	▼ 2
		BILLBOARD ASS'Y
	▼ 3	
	ACCESSORIES	

③ *Inside the cabinet

① *Key location