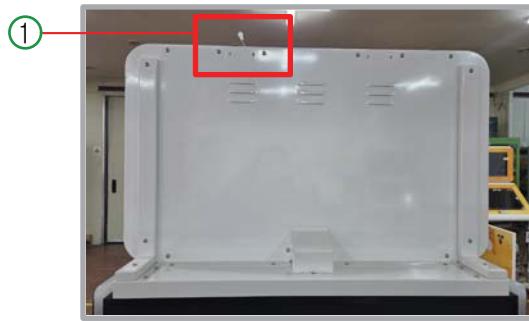
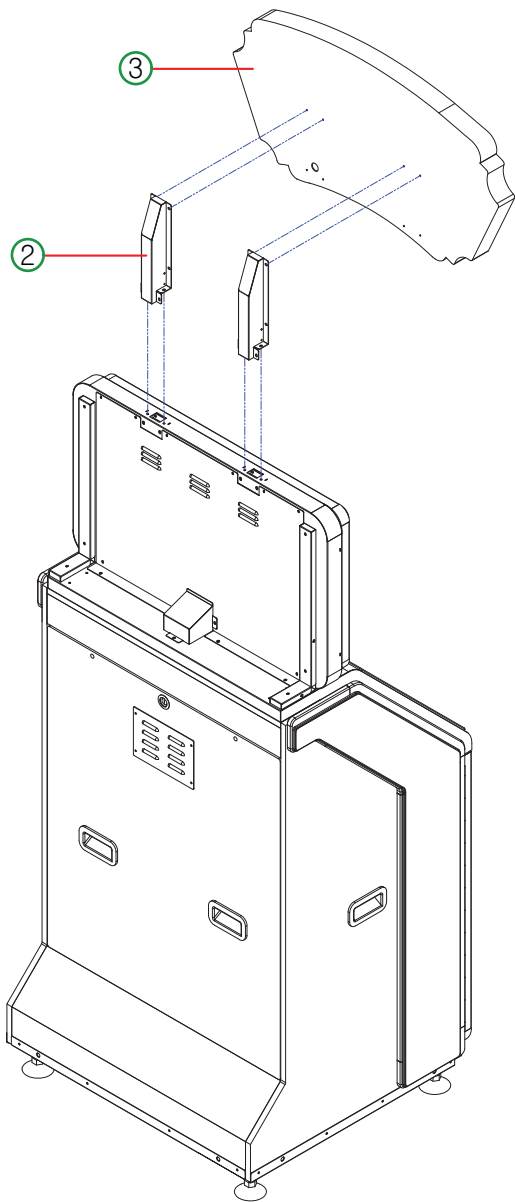


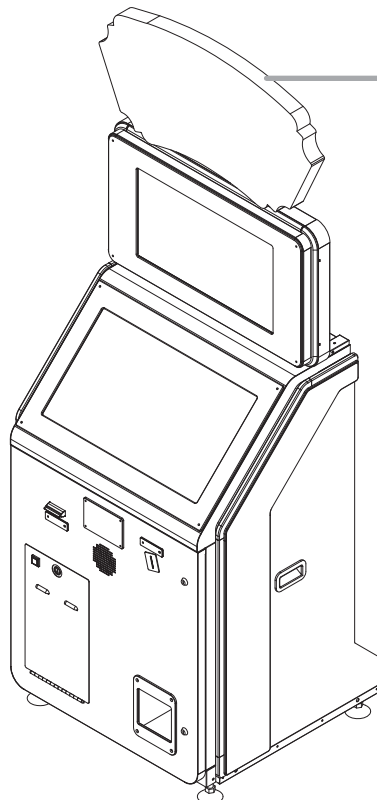
# HOW TO INSTALL

## 1. BILLBOARD

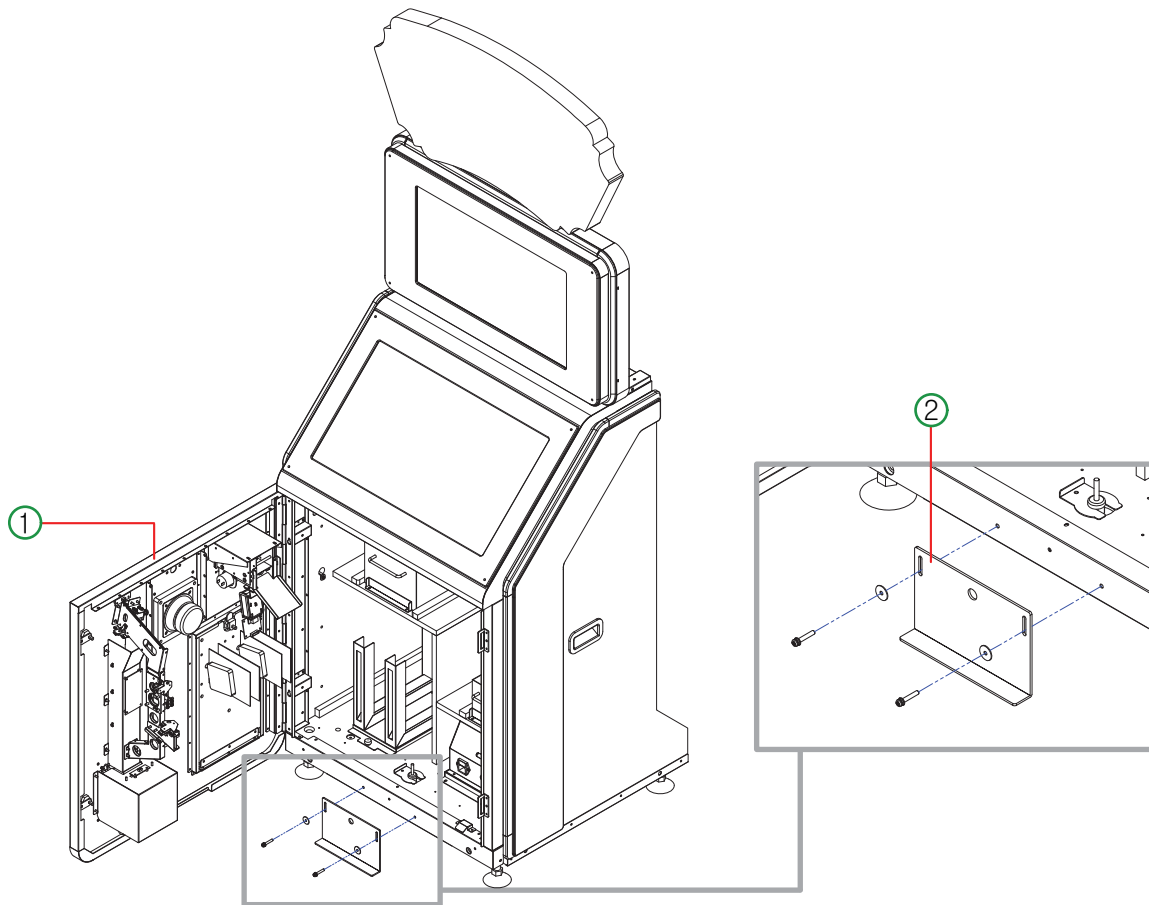


- ① Connect the billboard connector on the top of the UPPER MONITOR to the ③ BILLBOARD ASS'Y connector.
- After connecting the connectors, assemble ② BILLBOARD FIX BKTs (2 types) onto the top of the monitor and the billboard, respectively. (M4 bolts, 8 pcs for the monitor / 8 pcs for the billboard)

- Complete the assembly as shown in the photo below.



## 2. CABINET FRONT LOWER SUPPORT BKT



- After opening the front door ① using the 7001 key,
- ② Place the CABINET FRONT LOWER SUPPORT BKT on the floor as shown in the picture, then secure the bolts using the two T-NUTS on the bottom of the front cabinet. (M5 bolts, 2 pcs + M5 washers, 2 pcs)

**\* Installing the above brackets can cause the product to tip over.  
Be sure to install the fixed brackets.**