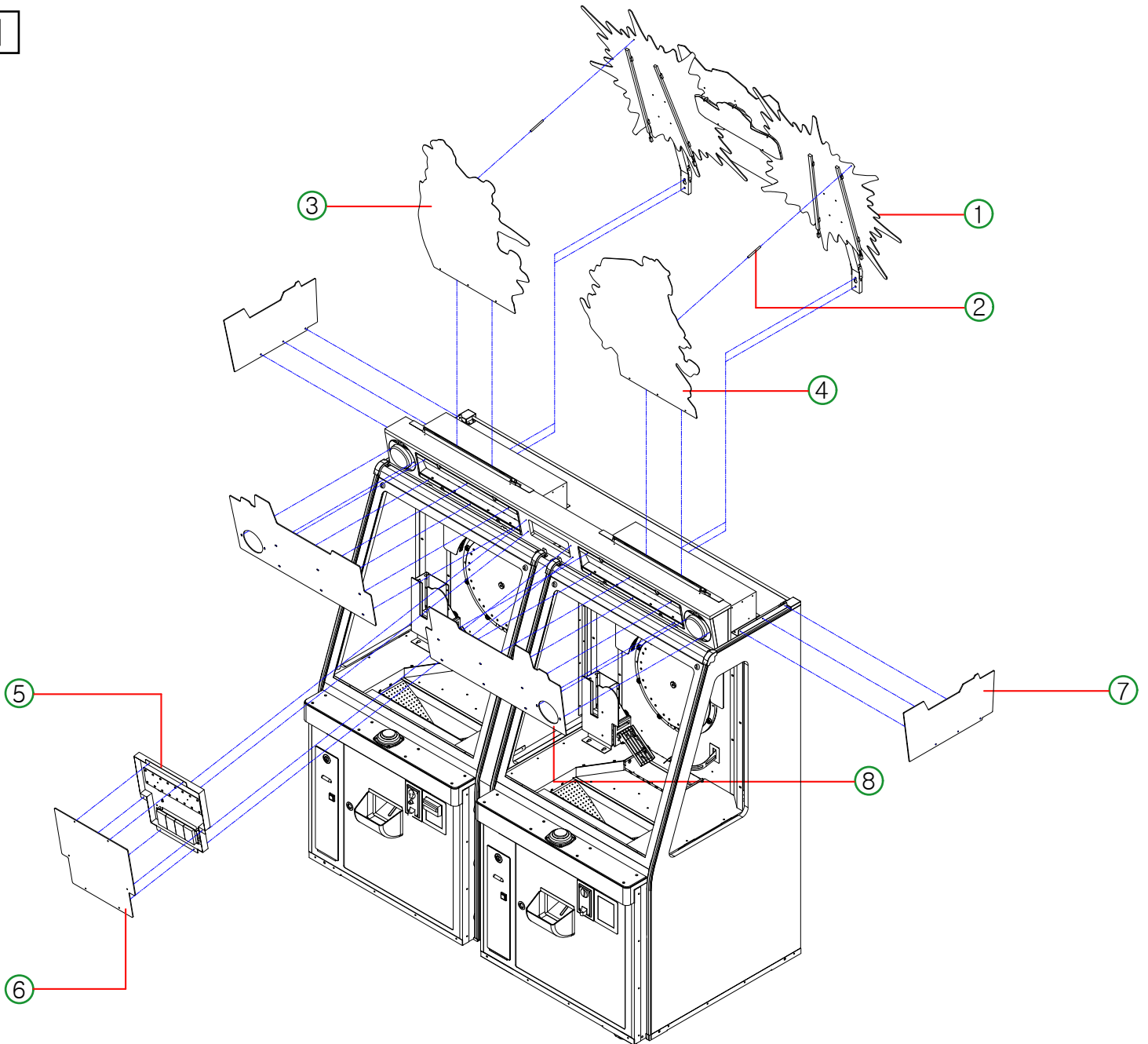


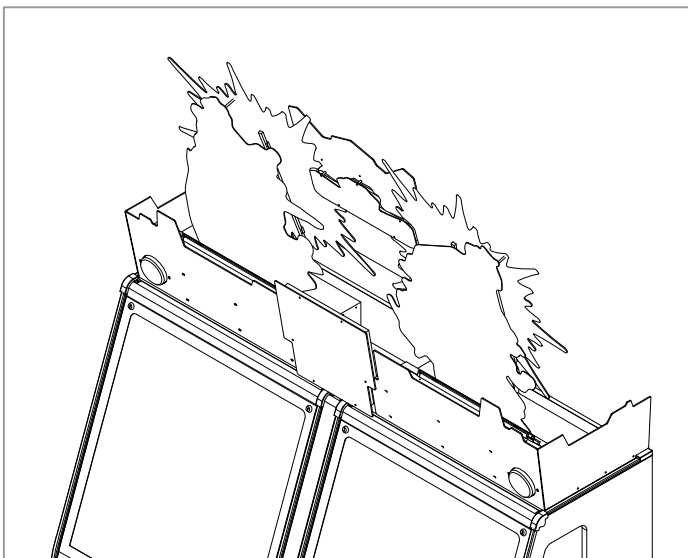
# HOW TO INSTALL [ BILLBOARD ]

1



- After unpacking the machine packing, connect billboard and acryl ① ~ ⑥ in sequece as like below diagrams. [ M4 & M6 Bolts ]
- \* Connect the connector when assembling ①, ⑤

2



- You complete it like picture.