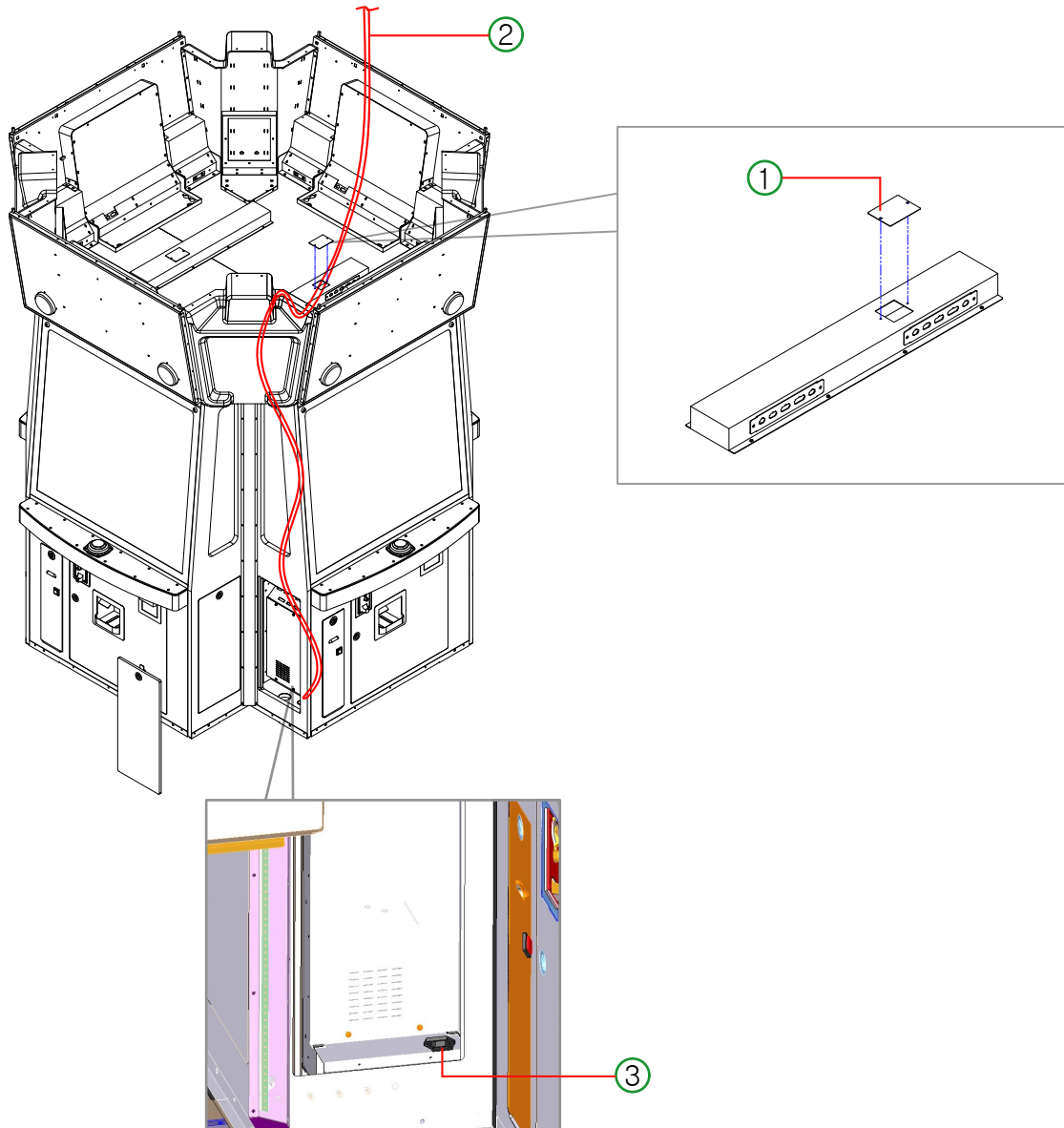


# HOW TO CONNECT FROM UPPER SIDE OF AC CORD

1



- Disassemble ① CABINET FRAME HARNESS BKT-C[2pcs], then connect ② AC CORD to Square hole.
- Then, connect AC CORD to bottom side of ③ SMPS POWER PART in the machine as following picture.