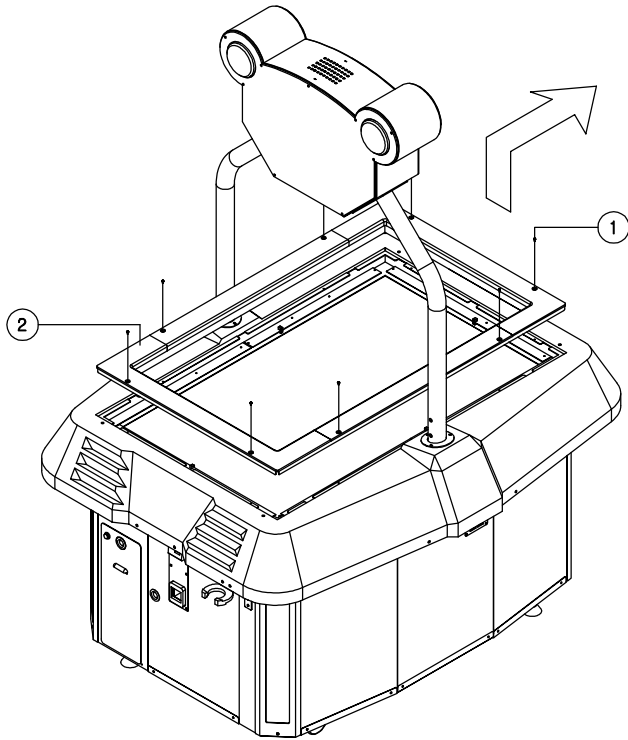
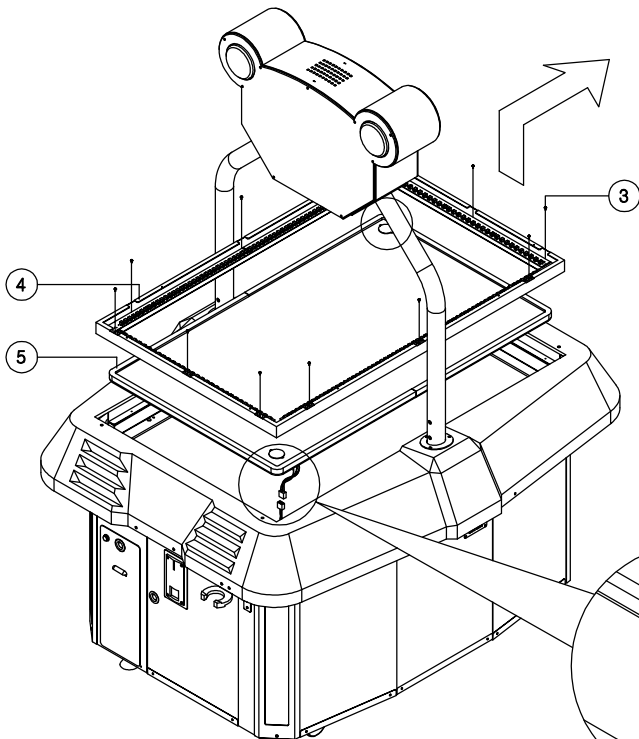


* How to clean up the PDP Screen



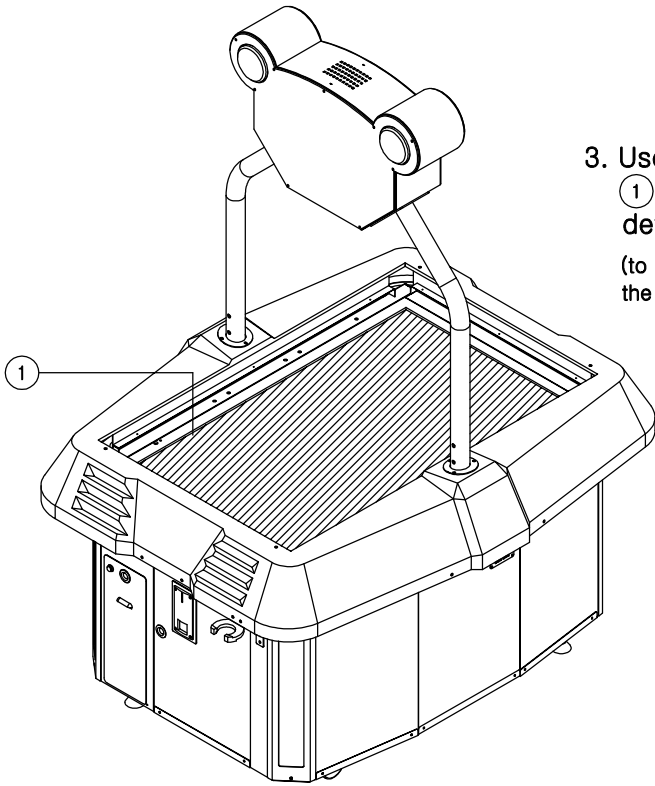
1. ① Loosen the nuts (8 totals) by using M3 Wrench.
2. ② Detach the Main Top Cover Ass'y from the main machine.



3. ③ Loosen the nuts 3. (12 totals)
4. ④ Detach the Touch Sensor Ass'y from the main machine.
5. ⑤ Detach the Touch Glass Ass'y from the main machine.

Important) you must unplug the shock sensor connectors (2 totals) first before detaching the Touch Glass Ass'y.

SHOCK SENSOR



3. Use micro-fine towel & glass cleaner to clean the 1.

① PDP screen. Please follow the reverse order of the above detach steps for re-installation.

(to keep the PDP screen in good condition, you should clean up the PDP screen every 3 months)