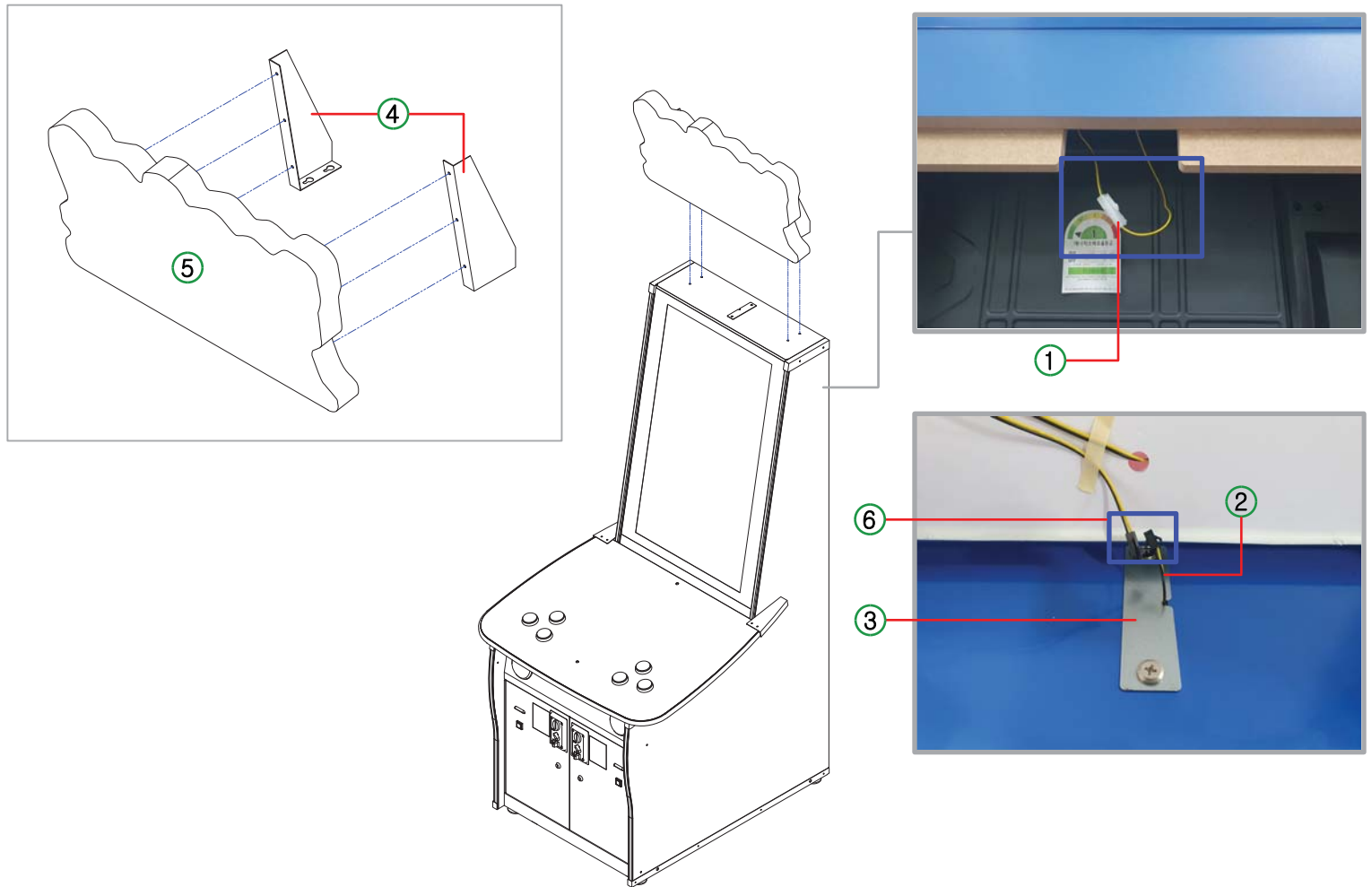


# HOW TO INSTALL

## \* HOW TO INSTALL\_BILLBOARD



NO	PROCESS	ITEM	Q'TY	BOLT	SPEC	Q'TY
1	CONNECTION	CONNECTOR CONNECTION * Disconnect the middle connector connected to the billboard and connect it to the main cabinet.	1			
2	WIRING	After connecting, pull out the wire from the top	1			
3	ASSEMBLE	BILLBOARD HARNESS COVER BKT	1	FLAT HEAD	M6*16L	2
4	ASSEMBLE	BILLBOARD FRAME FIX BKT L, R	2	SCREW TH	M4*12L	6
5	ASSEMBLE	BILLBOARD FRAME ASS'Y * Slightly loosen the 4 flat head bolts fixed to the top of the cabinet, hang the billboard ASS'Y, and then secure it.	1	FLAT HEAD	M6*16L	4
6	CONNECTION	CONNECTOR CONNECTION	1			